

Description

optimum is a static mesh filter that offers an ideal solution for integrating protective filters into closed-circuit systems, thus providing improved performance and safety. This filter is especially beneficial for process water applications where the quantity of suspended solids is relatively low.

The vessel is constructed entirely from stainless steel making the filter highly durable and requiring minimal maintenance.

To accommodate various installation configurations, the filter is offered in three different design shapes, Y, L and O.



Design data

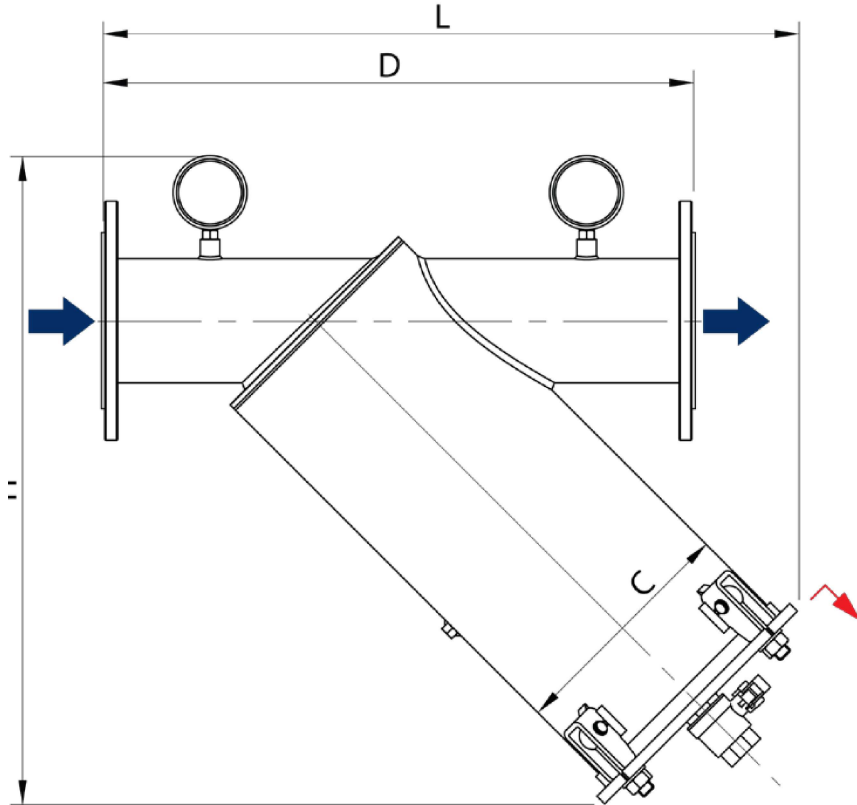
Flow rate	Up to 400 m3h
Design pressure [bar]	PN10 (PN16 available)
Design temperature [°C]	100
Salinity [TDS]	<10.000 ppm
pH Range	3 - 9
Design Code	PED 68/2014/EU

Material data

Filter housing	AISI 304/316L
Gasket	EPDM*
Filter bag	PES
Drain/Vent valve	Nickel-plated brass/ AISI 316L
Pressure Gauges	AISI 304/316L
Surface finish	Micro shot Peening and Passivation

* Certified for the following European Drinking Water regulations: UBA, DVGW-standard W-270, WRAS och ACS.

Dimensions Y shape



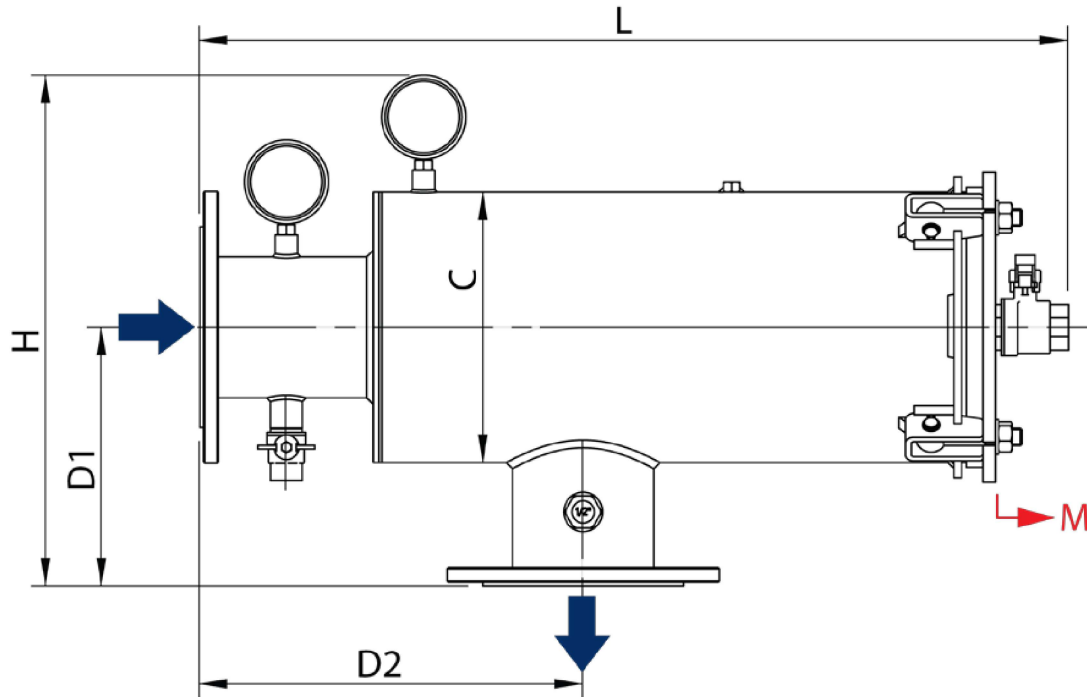
Model	Size	In/Out	Max Flow rate* [m3/h]	F.S.** [cm2]	D [mm]	L [mm]	H [mm]	C [mm]	M*** [mm]	W [Kg]
OPH 1" Y 1	1	1' BSPP	10	600	293	370	387	114	300	6
OPH 2" Y 6	6	2' BSPP	30	1500	412	740	600	219	500	17
OPH 3" Y 6	6	3' BSPP	60	1500	464	765	615	219	500	18
OPH 80 Y 6	6	DN 80	60	1500	487	765	615	219	500	22
OPH 100 Y 6	6	DN 100	100	1500	547	807	627	219	500	24
OPH 3" Y 8	8	3' BSPP	70	2200	464	875	748	219	700	21
OPH 80 Y 8	8	DN80	70	2200	487	874	748	219	700	25
OPH 100 Y 8	8	DN100	110	2200	547	916	761	219	700	26
OPH 100 Y 18	18	DN100	120	3300	585	955	761	273	700	33
OPH 150 Y 18	18	DN150	240	3300	660	978	788	273	700	38
OPH 100 Y 30	30	DN100	120	5400	585	1171	978	273	1000	40
OPH 150 Y 30	30	DN150	260	5400	660	1194	1006	273	1000	46

*Max flow rates are calculated based on clean water with a filtration degree of 120µm. With the same In/Out connection and the same MAX flow rate, the larger filter will require less cleaning than the smaller one.

**F.S. = Filtering surface

***M = Minimum free space required for maintenance.

Dimensions L shape



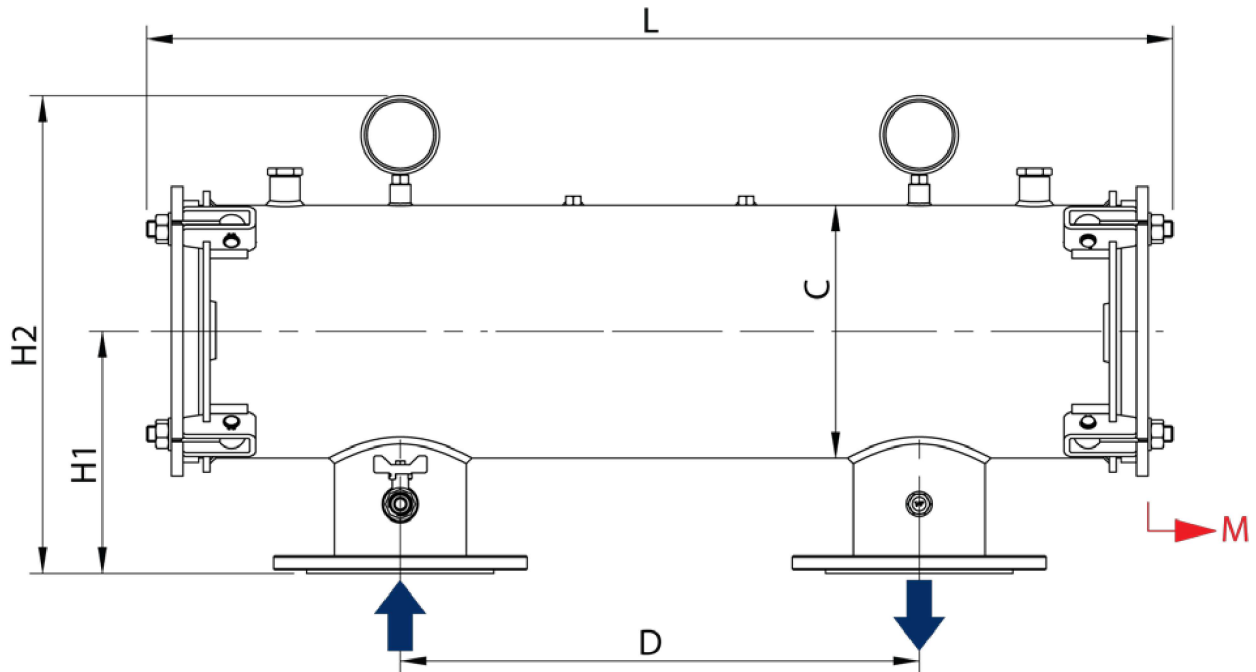
Model	Size	In/Out	Max Flow rate* [m3/h]	F.S.** [cm2]	D1 [mm]	D2 [mm]	L [mm]	H [mm]	C [mm]	ØS [mm]	R [mm]	M*** [mm]	W [Kg]
OPH 2" L 6	6	2' BSPP	30	1500	190	310	854	390	219	1" BSPP	140	500	21
OPH 3" L 6	6	3' BSPP	60	1500	190	310	854	390	219	1" BSPP	140	500	22
OPH 80 L 6	6	DN 80	60	1500	210	310	854	410	219	1" BSPP	140	500	27
OPH 100 L 6	6	DN100	100	1500	210	310	854	410	219	1" BSPP	140	500	28
OPH 3" L 8	8	3' BSPP	70	2200	190	310	1008	390	219	1" ½ BSPP	140	700	26
OPH 80 L 8	8	DN80	70	2200	210	310	1008	410	219	1" ½ BSPP	140	700	31
OPH 100 L 8	8	DN100	110	2200	210	310	1008	410	219	1" ½ BSPP	140	700	32
OPH 100 L 18	18	DN100	120	3300	246	350	1062	480	273	1" ½ BSPP	180	700	39
OPH 150 L 18	18	DN150	240	3300	246	350	1062	480	273	1" ½ BSPP	180	700	44
OPH 100 L 30	30	DN100	120	5400	246	350	1368	480	273	2" BSPP	180	1000	47
OPH 150 L 30	30	DN150	260	5400	246	350	1368	480	273	2" BSPP	180	1000	52
OPH 200 L 30	30	DN200	400	5400	266	350	1368	500	273	2" BSPP	180	1000	57

*Max flow rates are calculated based on clean water with a filtration degree of 120µm. With the same In/Out connection and the same MAX flow rate, the larger filter will require less cleaning than the smaller one.

**F.S. = Filtering surface

***M = Minimum free space required for maintenance.

Dimensions O shape



Model	Size	In/Out	Max Flow rate* [m ³ /h]	F.S.** [cm ²]	D1 [mm]	L [mm]	H1 [mm]	H2 [mm]	C [mm]	M*** [mm]	W [Kg]
OPH 80 O 6	6	DN 80	60	1500	450	890	210	410	219	500	36
OPH 100 O 6	6	DN 100	100	1500	450	890	210	410	219	500	37
OPH 80 O 8	8	DN 80	70	2200	450	890	210	410	219	700	37
OPH 100 O 8	8	DN100	110	2200	450	890	210	410	219	700	38
OPH 100 O 18	18	DN100	120	3300	640	1350	246	480	219	700	58
OPH 150 O 18	18	DN150	240	3300	640	1350	246	480	219	700	62
OPH 100 O 30	30	DN100	120	5400	640	1350	246	480	219	1000	59
OPH 150 O 30	30	DN150	260	5400	640	1350	246	480	273	1000	64
OPH 200 O 30	30	DN200	400	5400	640	1350	246	500	273	1000	69

*Max flow rates are calculated based on clean water with a filtration degree of 120µm. With the same In/Out connection and the same MAX flow rate, the larger filter will require less cleaning than the smaller one.

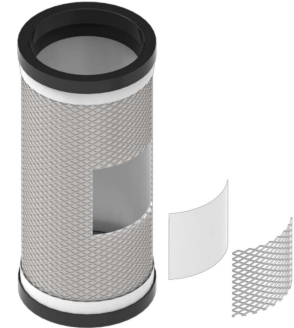
**F.S. = Filtering surface

***M = Minimum free space required for maintenance.

Filtering Elements

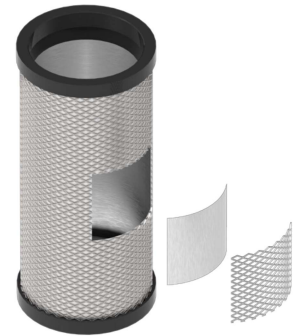
PES Filterkit:

This filter features an AISI 316 Stainless Steel cylinder that houses a polyester (PES) filter tissue. With a range of filtering options available, starting from 25µm up to 810µm, the customer has the flexibility to select the perfect filtration degree to meet their specific needs.



2LAY Filterkit:

This filter features a double layer AISI 316 stainless steel mesh and shows exceptional resistance which makes it an excellent alternative to PES Filterkit in harsh operating conditions, particularly when dealing with liquids containing sharp suspended solids.



Filtration degree [µm]	PES Filterkit	2LAY Filterkit
25 µm	✓	X
40 µm	X	✓ (only available for size 1 and 6)
53 µm	✓	X
80 µm	✓	X
110 µm	X	✓
120 µm	✓	X
200 µm	✓	✓ (not available for size 1)
400 µm	✓	X
580 µm	✓	X
810 µm	✓	X

Accessories

Differential Pressure Kit

Detects the pressure difference between the inlet and outlet and activates an electrical contact upon reaching a pre-set ΔP value.

- Max pressure: 17 bar
- ΔP range: 0.3 - 2 bar
- Max temperature: 60°C



Neodymium Magnetic Rod

Neodymium magnets trap ferrous particles in the water system. This is very beneficial for systems prone to corrosion.



Eyebolts Kit

Combined with the QuickBolts fast lock/unlock system, the eyebolts make the maintenance even quicker and easier. Each kit is composed of 4pcs eyebolts in stainless steel AISI 316(A4).



Spare Parts

Description	Material	Compatibility
Body gasket Ø 114.3	EPDM	Size 1
Filterkit Gasket Kit Ø70, (2pcs)	EPDM	Size 1
Body gasket Ø 219.1	EPDM	Size 6 - Size 8
Filterkit Gasket Kit Ø145, (2pcs)	EPDM	Size 6 - Size 8
Body Gasket Ø273	EPDM	Size 18 - Size 30
Filterkit Gasket Kit Ø218, (2pcs)	EPDM	Size 18 - Size 30
Pressure gauge 0-10 bar G1/4" Ø63	AISI 304	All models
Pressure gauge 0-10 bar G1/4" Ø63	AISI 316	All models

