

Description

a-swipe is a self-cleaning mesh filter with a motorized brush cleaning system which easily regenerates the filtering element within a few seconds, without interrupting the flow.

The vessel and cleaning system are constructed entirely from stainless steel and equipped with nylon brushes, making the filter highly durable and requiring minimal maintenance.

a-swipe is particularly well-suited for treating water that contains non-colloidal suspended solids. It is commonly used in well-water, canals, rivers, and industrial settings.

To accommodate various installation configurations, the filter is offered in two different design shapes, Y and L.



Design data

| | |
|-------------------------|--------------------------|
| Flow rate | Up to 400 m3h |
| Design pressure [bar] | PN10 (PN16 available) |
| Design temperature [°C] | 80 |
| Salinity [TDS] | <10.000 ppm |
| pH Range | 3 - 9 |
| Design Code | PED 68/2014/EU |

Material data

| | |
|------------------|---------------------------------------|
| Filter housing | AISI 304/316L |
| Gasket | EPDM* |
| Filter bag | PES |
| Drain/Vent valve | Cast Iron body with AISI 316L lens |
| Pressure Gauges | AISI 304/316L |
| Surface finish | Micro shot Peening and Passivation |

* Certified for the following European Drinking Water regulations: UBA, DVGW-standard W-270, WRAS och ACS.

Power Supply

| | |
|------------------|-------------------------------|
| Electric Voltage | 230 VAC 50/60 Hz Single Phase |
|------------------|-------------------------------|

| | |
|----------------|-------|
| Compressed Air | 6 bar |
|----------------|-------|

Actuation

| | |
|----------------|-----------------|
| Electric motor | 230 VAC 0.11 kW |
|----------------|-----------------|

| | |
|----------------|-------------------------|
| Solenoid Valve | Electropneumatic 24 VDC |
|----------------|-------------------------|

Controller

| | |
|--------------|-------------------------------|
| Power Supply | 230 VAC 50/60 Hz Single Phase |
|--------------|-------------------------------|

| | |
|------------------|------|
| Protection Class | IP65 |
|------------------|------|

| | |
|----------|-----|
| Material | ABS |
|----------|-----|

| | |
|-------|--|
| Input | 2 digital (Pause, DP), 3 analogic (Pressure) |
|-------|--|

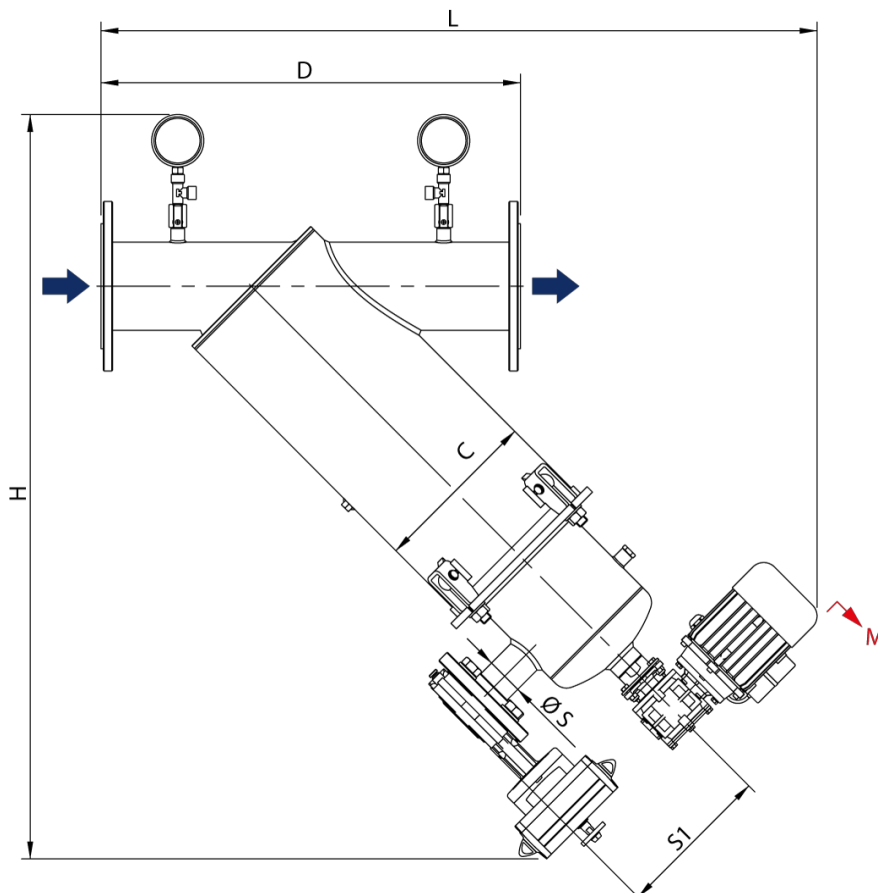
| | |
|--------|--|
| Output | 4 SPDT 16A 250Vac, 4 SPST 1A 24Vdc, 1 SPST (alarm) |
|--------|--|

| | |
|---------------------------|--|
| Cleaning cycle management | Differential Pressure (0,6-0,8bar), Pre-set time intervals, Manual |
|---------------------------|--|

Cleaning Cycle

| | | Size 6 | Size 8 | Size 18 | Size 30 |
|-------------------------|------|--------|--------|---------|---------|
| Min. cleaning flow rate | m3/h | 10 | 15 | 15 | 20 |
| Min pressure | bar | 1.5 | 1.5 | 1.5 | 1.5 |
| Water consumption | L | 55 | 84 | 84 | 110 |
| Cleaning cycle time | s | 25 | 25 | 25 | 25 |

Dimensions Y shape



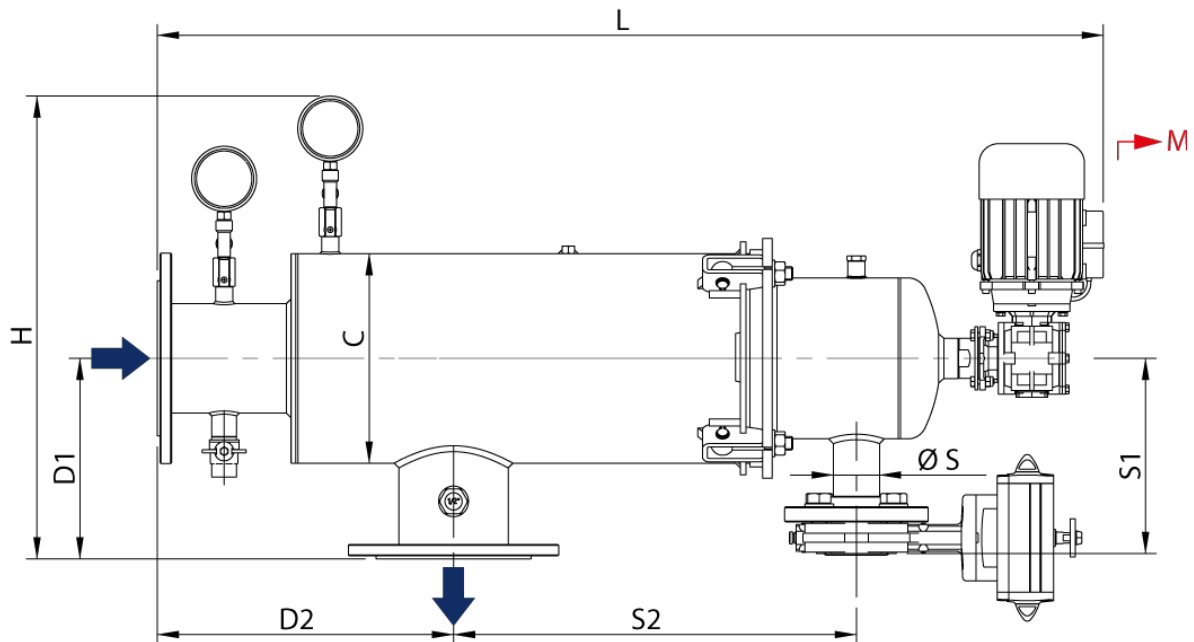
| Model | Size | In/Out | Max Flow rate* [m3/h] | F.S.** [cm2] | D [mm] | L [mm] | H [mm] | C [mm] | S1 [mm] | ØS [mm] | M*** [mm] | W [Kg] |
|----------------|------|---------|-----------------------|--------------|--------|--------|--------|--------|---------|-----------|-----------|--------|
| A-SPH 2" Y 6 | 6 | 2" BSPP | 30 | 1500 | 412 | 740 | 600 | 219 | 240 | 1" BSPP | 500 | 21 |
| A-SPH 3" Y 6 | 6 | 3" BSPP | 60 | 1500 | 464 | 765 | 615 | 219 | 240 | 1" BSPP | 500 | 22 |
| A-SPH 80 Y 6 | 6 | DN 80 | 60 | 1500 | 487 | 765 | 615 | 219 | 240 | 1" BSPP | 500 | 26 |
| A-SPH 100 Y 6 | 6 | DN100 | 100 | 1500 | 547 | 807 | 627 | 219 | 240 | 1" BSPP | 500 | 28 |
| A-SPH 3" Y 8 | 8 | 3" BSPP | 70 | 2200 | 464 | 875 | 748 | 219 | 240 | 1" ½ BSPP | 700 | 26 |
| A-SPH 80 Y 8 | 8 | DN80 | 70 | 2200 | 487 | 874 | 748 | 219 | 240 | 1" ½ BSPP | 700 | 30 |
| A-SPH 100 Y 8 | 8 | DN100 | 110 | 2200 | 547 | 916 | 761 | 219 | 240 | 1" ½ BSPP | 700 | 32 |
| A-SPH 100 Y 18 | 18 | DN100 | 120 | 3300 | 585 | 955 | 761 | 273 | 240 | 1" ½ BSPP | 700 | 39 |
| A-SPH 150 Y 18 | 18 | DN150 | 240 | 3300 | 660 | 978 | 788 | 273 | 240 | 1" ½ BSPP | 700 | 44 |
| A-SPH 100 Y 30 | 30 | DN100 | 120 | 5400 | 585 | 1171 | 978 | 273 | 255 | 2" BSPP | 1000 | 47 |
| A-SPH 150 Y 30 | 30 | DN150 | 260 | 5400 | 660 | 1194 | 1006 | 273 | 255 | 2" BSPP | 1000 | 52 |

*Max flow rates are calculated based on clean water with a filtration degree of 120µm. With the same In/Out connection and the same MAX flow rate, the larger filter will require less cleaning than the smaller one.

**F.S. = Filtering surface

***M = Minimum free space required for maintenance.

Dimensions L shape



| Model | Size | In/Out | Max Flow rate* [m3/h] | F.S.** [cm2] | D1 [mm] | D2 [mm] | L [mm] | H [mm] | C [mm] | S1 [mm] | S2 [mm] | ØS [mm] | M*** [mm] | W [Kg] |
|----------------|------|---------|-----------------------|--------------|---------|---------|--------|--------|--------|---------|---------|-----------|-----------|--------|
| A-SPH 2" L 6 | 6 | 2" BSPP | 30 | 1500 | 190 | 310 | 854 | 390 | 219 | 240 | 268 | 1" BSPP | 500 | 21 |
| A-SPH 3" L 6 | 6 | 3" BSPP | 60 | 1500 | 190 | 310 | 854 | 390 | 219 | 240 | 268 | 1" BSPP | 500 | 22 |
| A-SPH 80 L 6 | 6 | DN 80 | 60 | 1500 | 210 | 310 | 854 | 410 | 219 | 240 | 268 | 1" BSPP | 500 | 27 |
| A-SPH 100 L 6 | 6 | DN100 | 100 | 1500 | 210 | 310 | 854 | 410 | 219 | 240 | 268 | 1" BSPP | 500 | 28 |
| A-SPH 3" L 8 | 8 | 3" BSPP | 70 | 2200 | 190 | 310 | 1008 | 390 | 219 | 240 | 422 | 1" ½ BSPP | 700 | 26 |
| A-SPH 80 L 8 | 8 | DN80 | 70 | 2200 | 210 | 310 | 1008 | 410 | 219 | 240 | 422 | 1" ½ BSPP | 700 | 31 |
| A-SPH 100 L 8 | 8 | DN100 | 110 | 2200 | 210 | 310 | 1008 | 410 | 219 | 240 | 422 | 1" ½ BSPP | 700 | 32 |
| A-SPH 100 L 18 | 18 | DN100 | 120 | 3300 | 246 | 350 | 1062 | 480 | 273 | 240 | 422 | 1" ½ BSPP | 700 | 39 |
| A-SPH 150 L 18 | 18 | DN150 | 240 | 3300 | 246 | 350 | 1062 | 480 | 273 | 240 | 422 | 1" ½ BSPP | 700 | 44 |
| A-SPH 100 L 30 | 30 | DN100 | 120 | 5400 | 246 | 350 | 1368 | 480 | 273 | 255 | 728 | 2" BSPP | 1000 | 47 |
| A-SPH 150 L 30 | 30 | DN150 | 260 | 5400 | 246 | 350 | 1368 | 480 | 273 | 255 | 728 | 2" BSPP | 1000 | 52 |
| A-SPH 200 L 30 | 30 | DN200 | 400 | 5400 | 266 | 350 | 1368 | 500 | 273 | 255 | 728 | 2" BSPP | 1000 | 57 |

*Max flow rates are calculated based on clean water with a filtration degree of 120µm. With the same In/Out connection and the same MAX flow rate, the larger filter will require less cleaning than the smaller one.

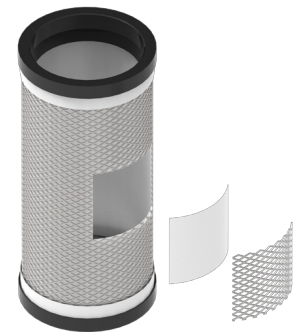
**F.S. = Filtering surface

***M = Minimum free space required for maintenance.

Filtering Elements

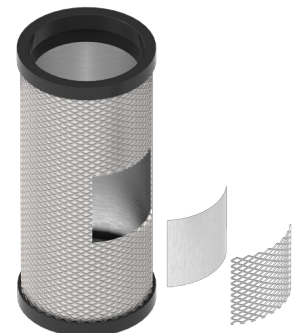
PES Filterkit:

This filter features an AISI 316 Stainless Steel cylinder that houses a polyester (PES) filter tissue. With a range of filtering options available, starting from 25µm up to 810µm, the customer has the flexibility to select the perfect filtration degree to meet their specific needs.



2LAY Filterkit:

This filter features a double layer AISI 316 stainless steel mesh and shows exceptional resistance which makes it an excellent alternative to PES Filterkit in harsh operating conditions, particularly when dealing with liquids containing sharp suspended solids.



| Filtration degree [µm] | PES Filterkit | 2LAY Filterkit |
|------------------------|---------------|-------------------------------------|
| 25 µm | ✓ | X |
| 40 µm | X | ✓ (only available for size 1 and 6) |
| 53 µm | ✓ | X |
| 80 µm | ✓ | X |
| 110 µm | X | ✓ |
| 120 µm | ✓ | X |
| 200 µm | ✓ | ✓ (not available for size 1) |
| 400 µm | ✓ | X |
| 580 µm | ✓ | X |
| 810 µm | ✓ | X |

Accessories

Automation Unit

Filter's automation system consists of:

- Electronic Controller 4EV 230VAC
- Pneumatic Drain Valve
- Pressure transmitters
- Namur Solenoid Valve



Threaded Pneumatic Ball Valve

When installed on the filter's outlet, this product can effectively enhance the cleaning performance even under harsh operating conditions. It is compatible with models that have BSP threaded connections.

- Material: AISI 316
- Nominal Pressure: PN10 - PN16
- Max temperature: 180°C
- Power supply: 24VAC
- Requires compressed air 6 bar
- Namur Solenoid Valve included



Flanged Pneumatic Butterfly Valve

When installed on the filter's outlet, this product can effectively enhance the cleaning performance even under harsh operating conditions. It is compatible with models that have flanged connections.

- Valve body: ductile iron
- Disc: AISI 316
- Liner: EPDM
- Power Supply: 230VAC
- Requires compressed air 6 bar
- Namur Solenoid Valve included



Spare Parts

| Description | Material | Compatibility |
|-----------------------------------|----------|-------------------|
| Body gasket Ø 219.1 | EPDM | Size 6 - Size 8 |
| Filterkit Gasket Kit Ø145, (2pcs) | EPDM | Size 6 - Size 8 |
| Body Gasket Ø273 | EPDM | Size 18 - Size 30 |
| Filterkit Gasket Kit Ø218, (2pcs) | EPDM | Size 18 - Size 30 |
| Pressure gauge 0-10 bar G1/4" Ø63 | AISI 304 | All models |
| Pressure gauge 0-10 bar G1/4" Ø63 | AISI 316 | All models |
| Brush Kit (3pcs) | Nylon | Size 6, 8, 18, 30 |

